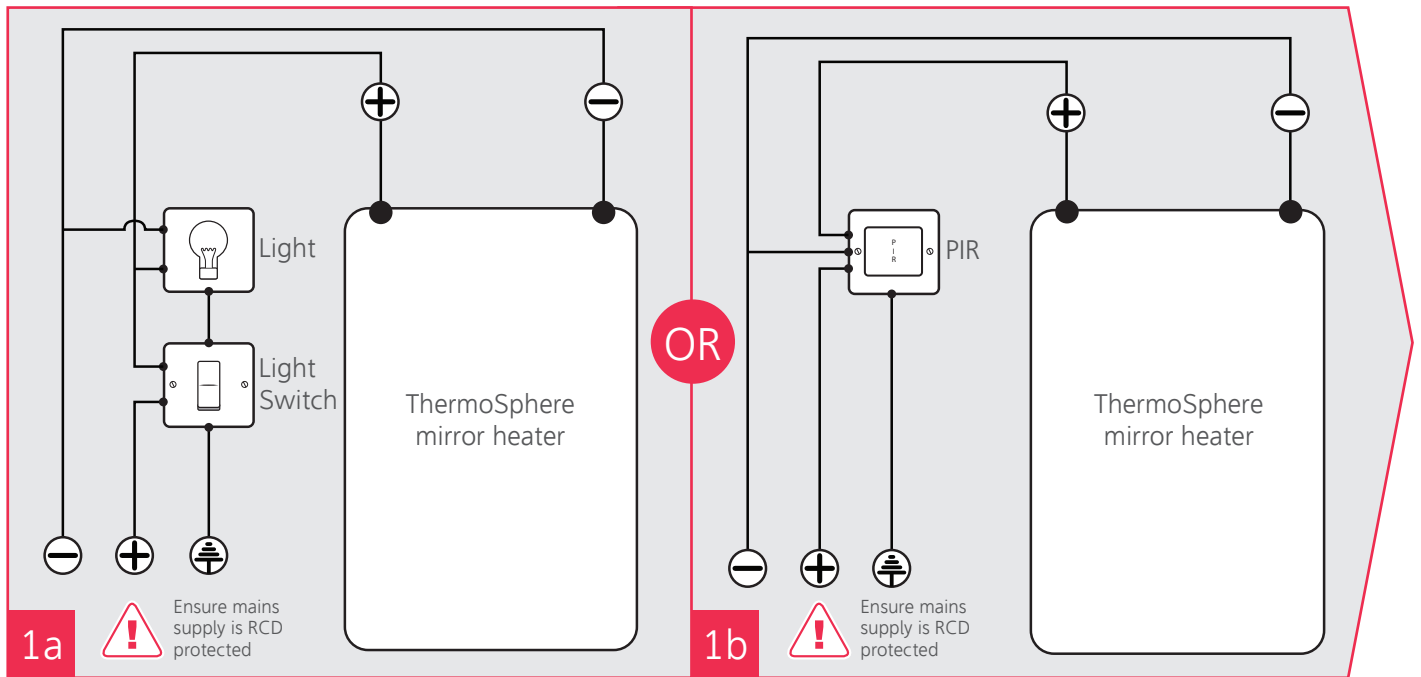


**thermo**  
Sphere

**HEATING** | WALL  
MIRROR

Excellence in heating **solutions.**

# Installation: Preparation and wiring

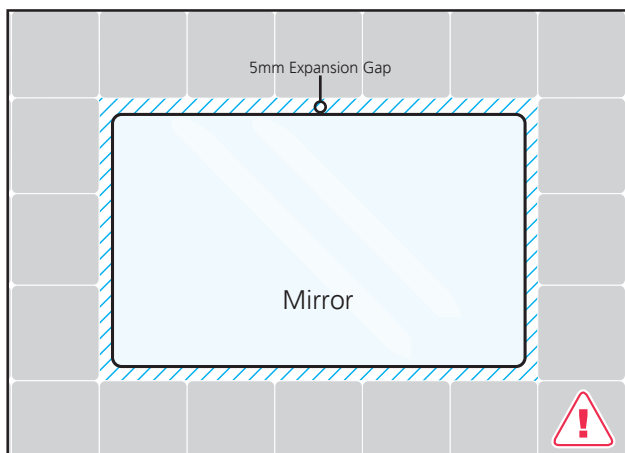


## Step 1a & 1b: Plan your installation & layout

The mirror heater requires a mains supply and a switch (Step 1a) or PIR sensor (Step 1b). Measure and mark out all the necessary items before you install the heater. If necessary chase into the wall to accommodate fixtures and wires.

The mirror heater should be wired into an existing lighting circuit (Step 1a), you can also connect to a PIR sensor (Step 1b).

When planning the installation, ensure a 5mm gap is present around the perimeter of the mirror. Any contact with hard materials could result in a breakage. (See Below)



## Step 2: Apply the heating element to the mirror

To avoid air bubbles whilst sticking the heating element, peel off the protective paper a quarter of the way. Now line up the mirror with the heating element sticky side down. Stick the first part down and ease the protective paper away whilst smoothing out the heating element onto the mirror.

Remember to position the mirror heater connection box and power cable in the closest available position to your wiring point in the wall.

### PRO TIP

It is important to install insulation. We recommend ThermoSphere insulation board behind the mirror to achieve optimal performance and efficiency.

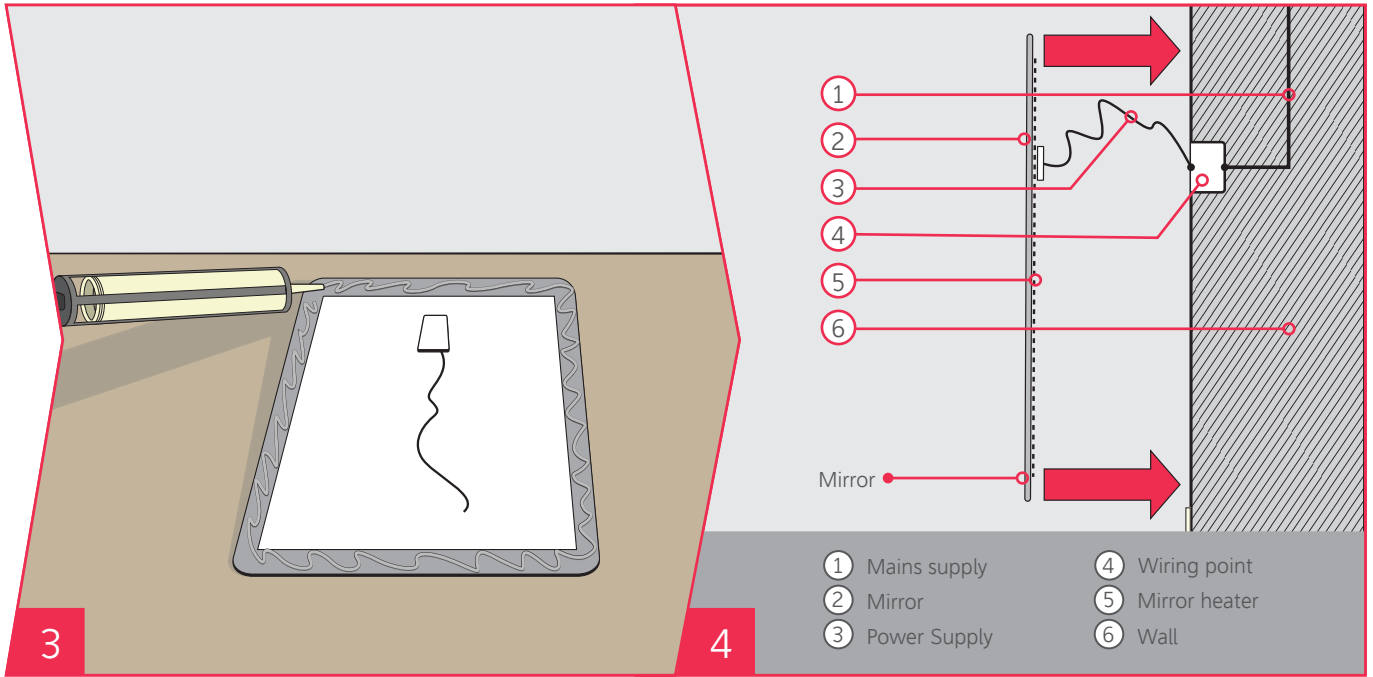
### Step 1 & 2 checklist

- Plan and measure installation
- Chase a groove in the wall to accommodate wiring and connections
- Leave expansion gap around the perimeter of the mirror

### Important safety precautions

- All electrical work must conform to current local wiring regulations and be checked or carried out by a qualified electrician
- Please allow a 5mm gap surrounding the mirror. Failure to do so could result in cracks forming due to expansion
- Do not cut, puncture, use staples or nails to mount the heating element. The mirror should never be used if cut or damaged

# Installation: Adhesive and wiring



## Step 3: Apply adhesive and wall mounting clips

Mirror adhesive should be applied around the perimeter of the mirror so it becomes as isolated as possible when fixed to the wall, we recommend ThermoSphere mirror adhesive (MH-ADH). Lay your mirror onto a clean towel to protect from scratches and other damage.

**✓ PRO TIP**

The heated mirror can be installed on walls made of wood, ceramic tiles, marble, etc. Walls must be dry, stable, smooth and preferably insulated.

## Step 4: Connect wiring and fix to the wall

Connect the mirror power lead to the mains at the wiring point. Then line the mirror up ensuring a 5mm gap is maintained around the perimeter of the mirror. Gently apply pressure around the outside of the mirror and allow all adhesives to fully cure before powering up your mirror.

These instructions should be followed along with the mirror manufacturer's recommendations.

**✓ PRO TIP**

To avoid damage to the mirror, do not over tighten fixings and ensure that no point pressure is applied to the mirror.



Do not rely on the self adhesive mirror pad to adhere the mirror to the wall. Extra mirror adhesive or mechanical fixings must be used

### Step 3 & 4 checklist

- Use mirror adhesive to seal mirror against wall
- Check mirror heater is as isolated as possible between the wall and mirror
- Check all wall fixtures are secure (if used)
- Check all electrical connections are safe

### Important safety precautions

- !** The mirror heater is IP54 rated and should be installed in correlation with these regulations
- !** Adhere the heater to the back of the mirror, not the wall
- !** If you have metal surround, please ensure the mirror is grounded according to local electrical regulations

## ThermoSphere Electric mirror heaters

Stock Code	Description	Shape	Output (W)	Size (MM)
MH-0600	Mirror Heater	Rectangular	57	400 x 600
MH-0800	Mirror Heater	Rectangular	96	600 x 800
MH-0900	Mirror Heater	Rectangular	108	600 x 900
MH-1000	Mirror Heater	Rectangular	150	750 x 1000
MH-1200	Mirror Heater	Rectangular	204	850 x 1200
MH-1300	Mirror Heater	Rectangular	260	1000 x 1300
MHO-0600	Mirror Heater	Oval	45	400 x 600
MHO-0800	Mirror Heater	Oval	76	600 x 800
MHR-0380	Mirror Heater	Round	20	380 ø
MHR-0520	Mirror Heater	Round	41	520 ø

## Installation accessories

Stock Code	Description	Size
MH-DST	Double Sided Tape	25mm x 50m
MH-ADH	Mirror Adhesive	310ml
PIR-01	PIR Movement Sensor	

Thermogroup Ltd  
Bridge House  
Pattenden Lane  
Marden  
TN12 9QJ

hello@thermosphere.com  
www.thermosphere.com

E&OE © Thermogroup Ltd 2019

thermo  
Sphere