

thermo
Sphere

CONTROL | TOUCH



Excellence in heating solutions.

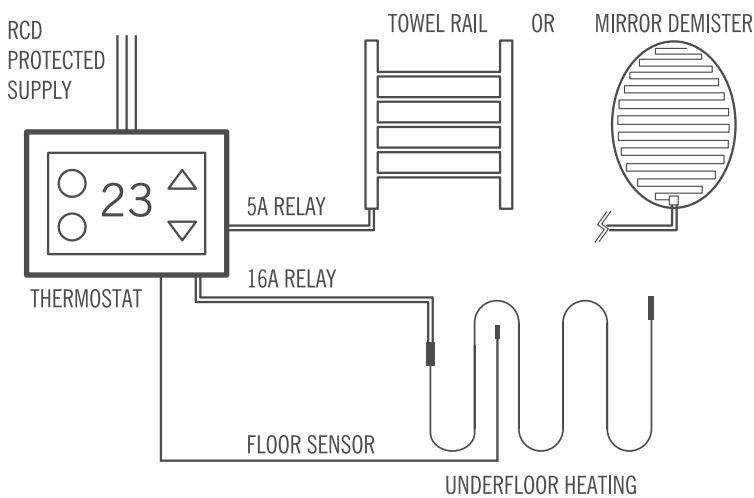


DC-B-01

DC-W-01

A dual control for your electric underfloor heating and towel rail

- ✓ Control your electric underfloor heating with a 7 day 6 event heating schedule
- ✓ Control an extra appliance such as an electric towel rail or mirror heater
- ✓ Easy upgrade - works with all of the most common floor sensor probes
- ✓ Smart energy saving features - Adaptive start and open window sensor
- ✓ Wireless models available



Dual relay control:

- 16A relay for underfloor heating
- 5A relay for additional appliance
- Maximum combined load 20A
- Control any electrical device with a 230V switch live
- Use a 12V transformer for low voltage devices
- 5A relay does not work in tandem with the temperature sensors

Stock Code	Colour	Size (mm)	IP Rating	Max Load
DC-B-01	White	129 x 88 x 48 (31mm in wall)	IP30	20A
DC-W-01	Black	129 x 88 x 48 (31mm in wall)	IP30	20A

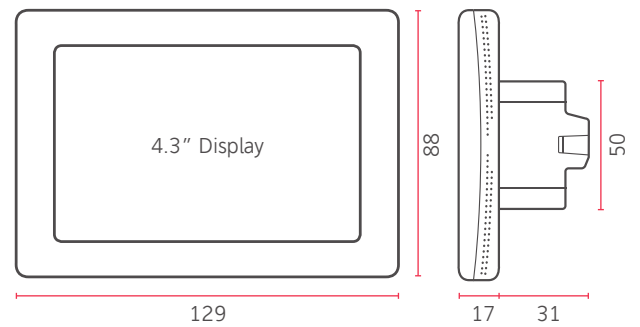
ThermoSphere dual control

Technical data

Supply voltage	230/240V 50/60Hz
Maximum load	16A (20A combine)
UFH relay	16A (3600W)
Appliance relay	A (1125W)
Temperature range	0 ~ 35°C
Ambient	0 ~ 50°C
Compatible sensors	6.8k, 10k, 12k, 15k, 33k (2@ 25°C)
Accuracy	±0.5°C
Warranty	3 years
IP rating	IP30
Width	129mm
Height	88mm
Depth	48mm (31mm in wall)

Box contents

- 1 x Dual Control
- 1 x Installation guide
- 1 x 3m floor temperature sensor probe
- 1 x 2m sensor conduit
- 2 x Fixing screws



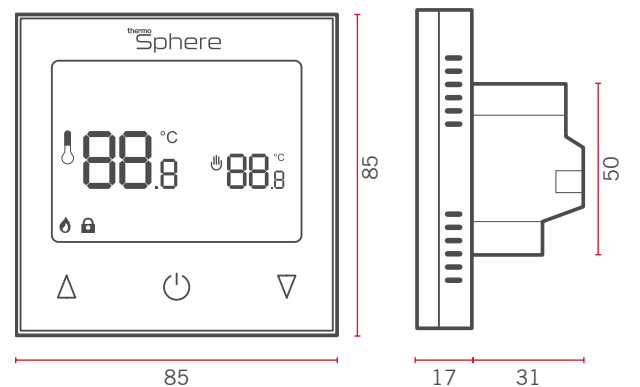
ThermoSphere manual control

Technical data

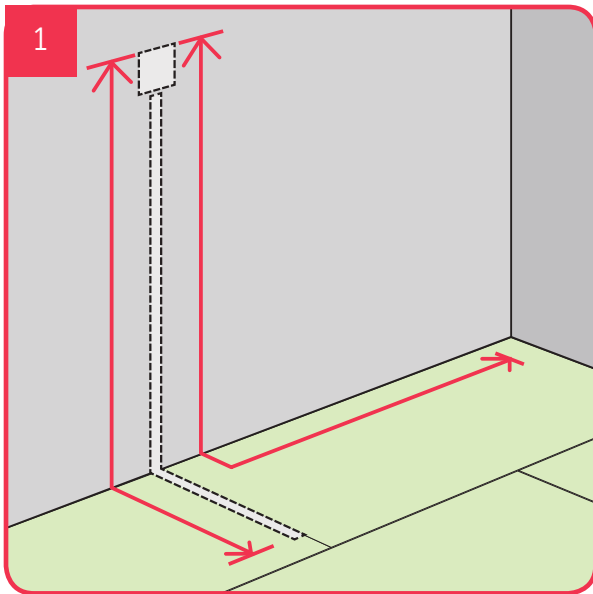
Supply voltage	230V 50/60Hz
Maximum load	16A (3600W)
Temperature range	5 ~ 80°C (0.5°C increments)
Accuracy	±0.5°C
Sensor rating	NTC 10kΩ @ 25°C
Consumption	2W
Warranty	3 years
Protection rating	IP30
Width	85mm
Height	85mm
Depth	46mm (31mm in wall)

Box contents

- 1 x Manual Control
- 1 x Installation guide
- 1 x 3m floor temperature sensor probe
- 1 x 2m sensor conduit
- 2 x Fixing screws



Installing your control in the correct location

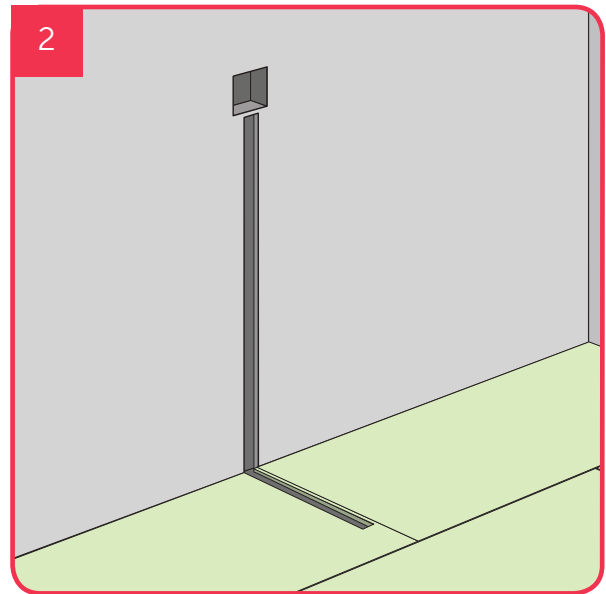


Plan back box and conduit positions

Measure and mark your back box and conduits in the required position.

The cold tail is 3m in length. It needs to reach from your back box, down through your conduit and along to your heating cable start position (extension available).

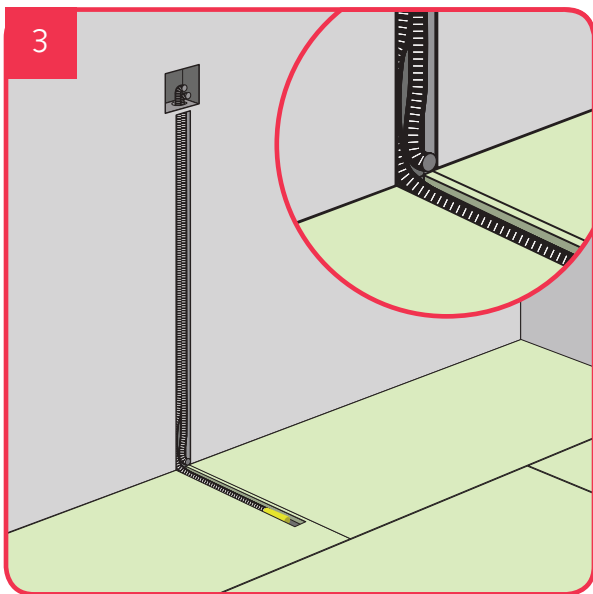
It is important to position your sensor between two runs of heating cable. A channel must be chased into the insulation or substrate to house the sensor conduit. Do not position the sensor conduit near any temperature influence or where furniture and rugs might be placed over the sensor.



Install back box

Fit an extra deep single gang back box at the desired level. Chase from the back box to the floor level, allowing for the conduit.

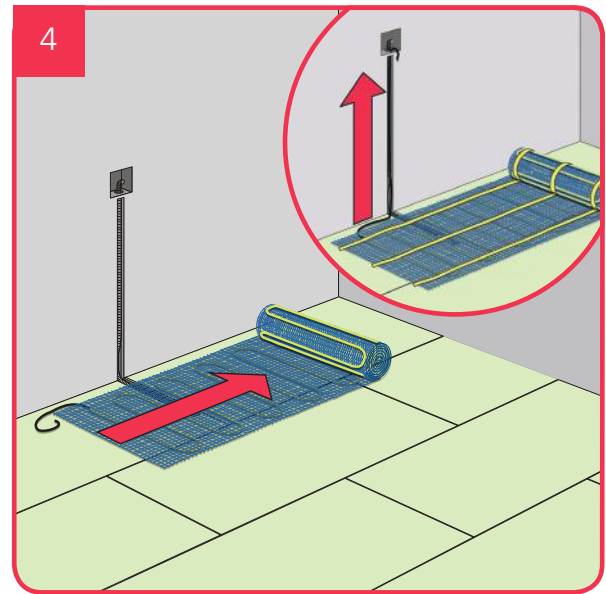
Power for the thermostat should come from an RCD protected fused spur.



Install two conduits

Sensor conduit: Install a conduit for the sensor probe (laid centrally between two runs of heating cable).

Cold tail conduit: Install another conduit for the cold tail (black cable) of the heating system.



Floor temperature sensor location

To ensure an accurate reading, position the floor sensor between 2 runs of heating cable. Away from any other temperature. ThermoSphere recommend using 2 sensor probes.