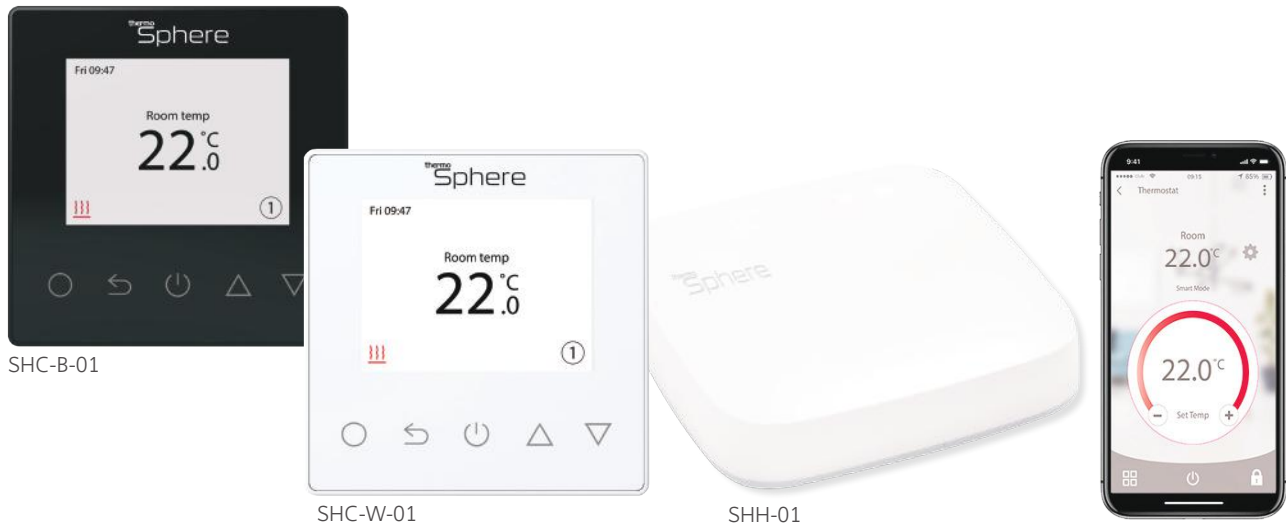


thermo
Sphere

CONTROL | TOUCH

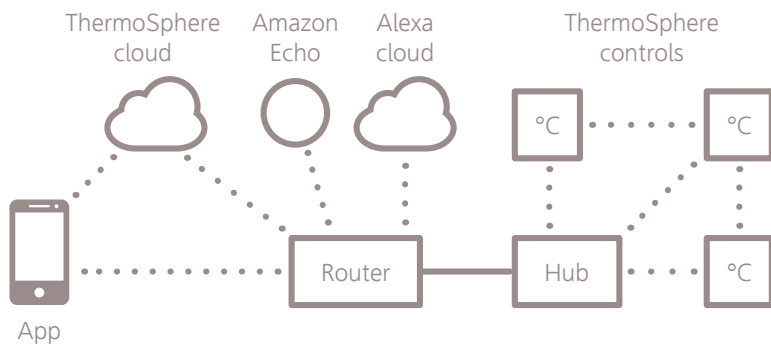


Excellence in heating solutions.



ThermoSphere SmartHome controls that work with Alexa

- ✓ Works with Alexa via the ThermoSphere SmartHome Hub
- ✓ 7 day programmable underfloor heating schedule
- ✓ Tracks your energy use to help save money
- ✓ Can be used as a standalone electric underfloor heating thermostat
- ✓ Control from anywhere with the ThermoSphere iOS & Android app



Wireless connection requires:

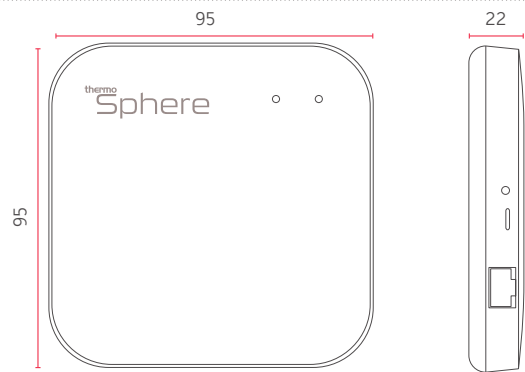
- ThermoSphere SmartHome Hub
- ThermoSphere SmartHome control
- Broadband internet
- An available port on your router
- ThermoSphere app on a compatible iOS or Android device
- Approximate range limit 20m open field
- Amazon Echo device required for Alexa voice control

Stock Code	Description	Wifi	Colour	Size (mm)	IP Rating	Max Load
SHC-W-01	SmartHome Control	Yes	White	87 x 87 x 14	IP21	16A
SHC-B-01	SmartHome Control	Yes	Black	87 x 87 x 14	IP21	16A
SHH-01	SmartHome Hub	Yes	White	95 x 95 x 20	IP30	



ThermoSphere SmartHome Hub

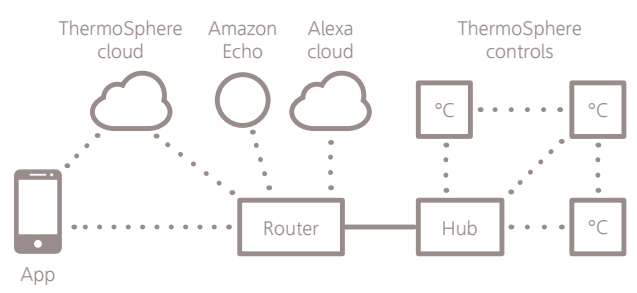
Technical data		Box contents	
Power supply	5V DC	1 x ThermoSphere SmartHome Hub	
Operating power	1A	1 x Installation guide	
Ambient temperature	5 ~ 50°C	1 x Network cable	
Compatible controls	5220RF 5226RF 5245RF 5246RF	1 x Power supply	
Warranty	3 years	2 x Fixing screws	
Protection rating	IP40		
Width x height	79 x 98 x 28mm		
Wireless	Zigabee Mesh		
Range	20m open field (approx)		
Max no. of connections	32 units		
Max no. of hubs per app	2		



ThermoSphere SmartHome Control

Technical data		Box contents	
Voltage	85 - 265V 50/60Hz	1 x ThermoSphere SmartHome Control	
Maximum load	16A	1 x Installation guide	
Standby consumption	<2W	1 x 3m floor temperature sensor probe	
Connectivity	Zigbee Mesh	1 x 2m sensor conduit	
Ambient temperature	5°C - 50°C	2 x Fixing screws	
Protection rating	IP21		
Dimensions	87 x 87 x 14mm		
Mounting	25mm back box		
Range	20m open field (approx)		
Max no. of connections	100+ units		
Max no. of hubs per app	10		

Mesh network diagram



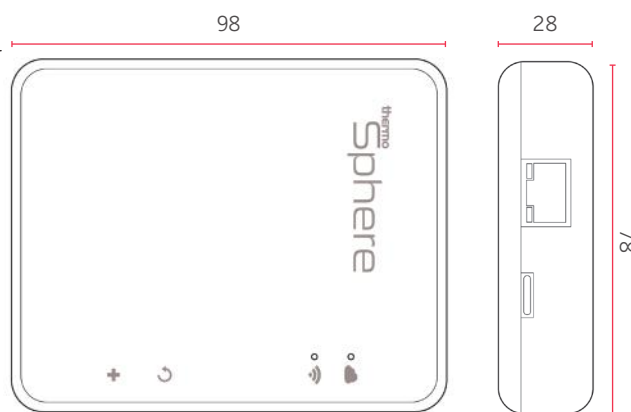
Wireless connection requires a ThermoSphere SmartHome Hub, compatible ThermoSphere SmartHome control, broadband internet and an available network port on your router. Download the ThermoSphere app on a compatible iOS or Android device. Approximate range limit 20m open field.

Mesh networking makes sure your thermostats are always connected. Extra connections between each thermostat provide a backup signal if a thermostat should ever lose its connection to the hub.

ThermoSphere Wireless Hub

Technical data	
Power supply	5V DC
Operating power	1A
Ambient temperature	5 ~ 50°C
Compatible controls	5220Z 5226Z
Warranty	3 years
Protection rating	IP30
Width x height	95 x 95 x 22mm
Wireless	RF 868 MHz Mesh
Range	20m open field (approx)
Max no. of connections	100+ units
Max no. of hubs per app	10

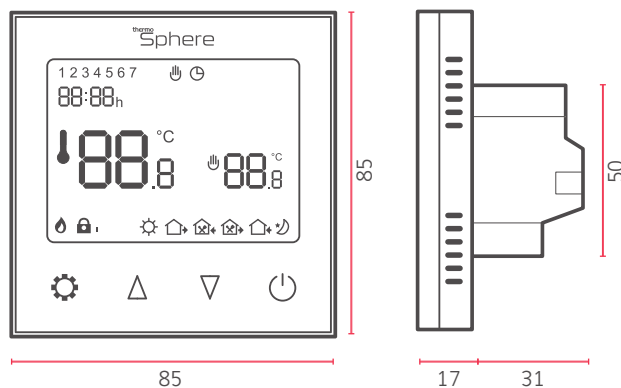
Box contents
1 x ThermoSphere Wireless Hub
1 x Installation guide
1 x Network cable
1 x Power supply



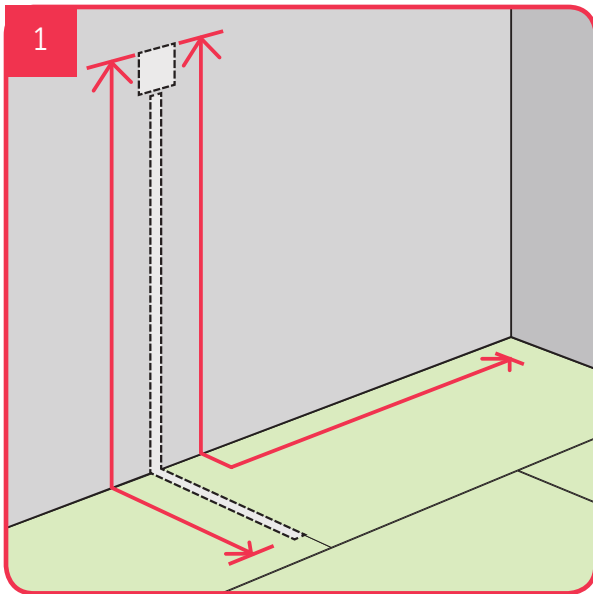
ThermoSphere Wireless Control

Technical data	
Supply voltage	230V 50/60Hz
Maximum load	16A (3600W)
Backup storage	EEPROM (1 year backup)
Temperature range	5 ~ 80°C (0.5°C increments)
Accuracy	±0.5°C
Sensor rating	NTC 10kΩ @ 25°C
Consumption	2W
Warranty	3 years
Protection rating	IP30
Width	85mm
Height	85mm
Depth	46mm (31mm in wall)
Network requirements	ThermoSphere Wireless Hub

Box contents
1 x ThermoSphere Wireless Control
1 x Installation guide
1 x 3m floor temperature sensor probe
1 x 2m sensor conduit
2 x Fixing screws



Installing your control in the correct location

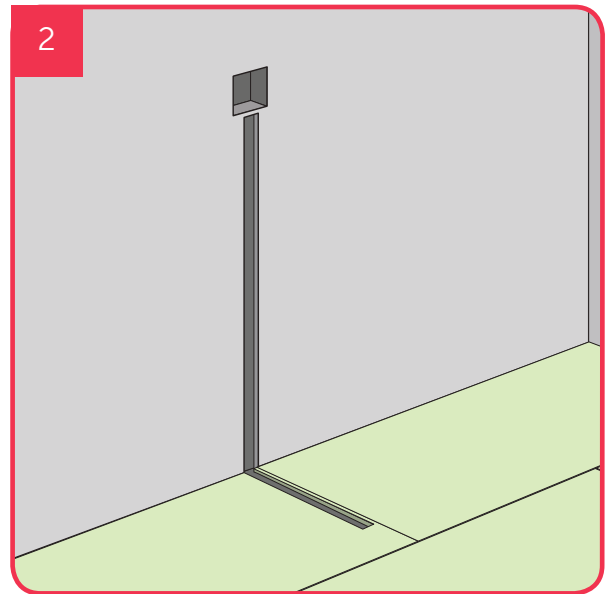


Plan back box and conduit positions

Measure and mark your back box and conduits in the required position.

The cold tail is 3m in length. It needs to reach from your back box, down through your conduit and along to your heating cable start position (extension available).

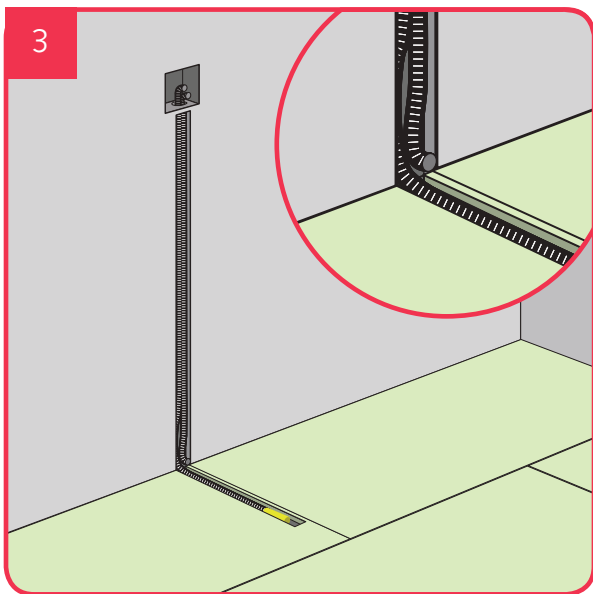
It is important to position your sensor between two runs of heating cable. A channel must be chased into the insulation or substrate to house the sensor conduit. Do not position the sensor conduit near any temperature influence or where furniture and rugs might be placed over the sensor.



Install back box

Fit an extra deep single gang back box at the desired level. Chase from the back box to the floor level, allowing for the conduit.

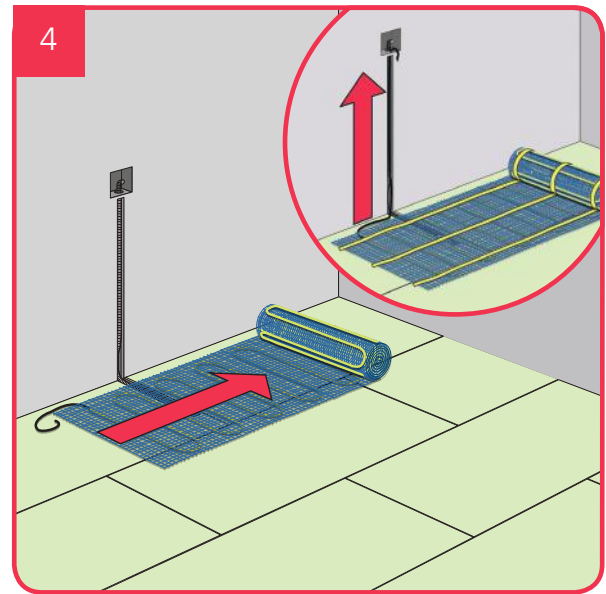
Power for the thermostat should come from an RCD protected fused spur.



Install two conduits

Sensor conduit: Install a conduit for the sensor probe (laid centrally between two runs of heating cable).

Cold tail conduit: Install another conduit for the cold tail (black cable) of the heating system.



Floor temperature sensor location

To ensure an accurate reading, position the floor sensor between 2 runs of heating cable. Away from any other temperature. ThermoSphere recommend using 2 sensor probes.