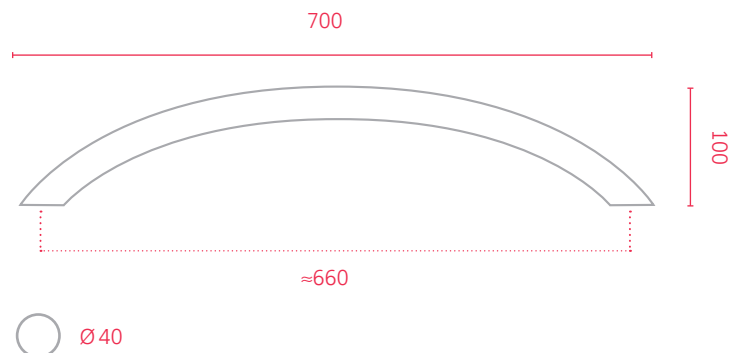


thermo
Sphere

HEATING | WALL | TOWEL BAR



Stock Code	Profile	Size (mm)	Finish	Voltage (V)	Output (W)
HTB-DCR-700	Curved Round	700 x 40 x 100	Polished	12	15

Electric heated towel rails safe for use in wet locations



12V Dry electrical element



5 Year Guarantee



Quality stainless steel

Running temperatures

Our unique self regulating heating element ensures that these rails only reach full operating temperature when the towel is applied. The optimum temperature is maintained with a fraction of the energy used by a standard fixed output rail.

Max temp no towel: 30-35°C.
Max temp with towel: 40-45°C.

Care instructions

Clean with warm soapy water followed by rinsing with clean water and drying with a soft cloth. All finishes are vulnerable to acid attack and some strong substances such as household cleaners or disinfectants can cause surfaces to go black or peel.

What's in the box?

- 1x Heated towel bar
- 2x Fixing screws
- 2x Fixing plugs
- 1x Allen key
- 1x 3m cold tail

What else do I need?

Multiple towel bars must be wired in parallel. Connect to a 12V transformer suitably rated for the combined output of all towel bars.

Use the Mounting System for easy installation of multiple towel bars. Separate data sheet available.

Included with each towel bar:



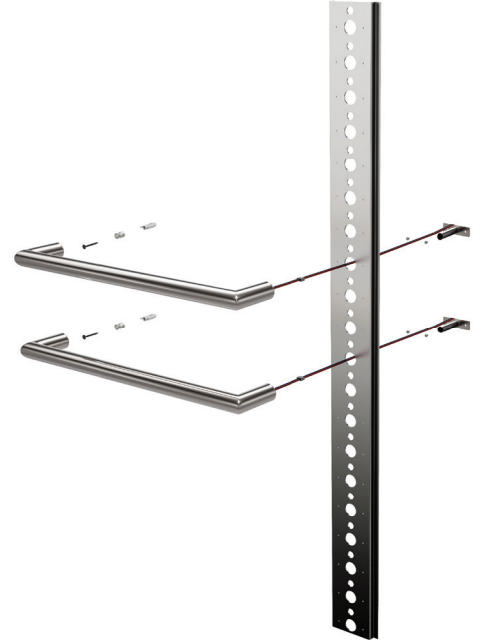
2 Standard fixing studs

For mounting system installation you will need:



Towel Bar Spigot TBSD-550

Towel bar mounting system



Easy pre-spaced multiple rail installation and cable management for ThermoSphere towel bars. You will need to purchase a TBSD-550 Towel bar spigot for each double ended rail intended for installation with a towel bar mounting system.

If installing this model with the Mounting Spigot and Mounting system you will need to cut the spigot in order to fit inside the towel bar body.

Mounting system sold separately

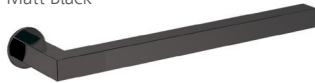
Custom finishes to match your brassware

ThermoSphere towel bars are available in a wide range of custom finishes. Supply us with a sample and we can match the finish. Some of our popular finishes include:

Polished Stainless Steel



Matt Black



Brushed Brass



Brushed Stainless Steel



Champagne Gold



Antique bronze

