

**thermo**  
Sphere

**HEATING** | WALL  
TOWEL BARS

Excellence in heating **solutions.**

## Thank you for your purchase...

This document will provide a step-by-step guide to a perfect installation as well as details on the warranty and how to get Technical Support should you need it.

To ensure a safe, hassle-free installation to be proud of please take the time to read this guide in full before you start.

This product is covered by a 10 year warranty, subject to terms and conditions. Be sure to keep the receipt as proof of purchase, this will be required to validate your warranty.

Please complete the Customer Handover section on page 7 in full so that the customer has all the information they need to complete the online warranty form and register their ThermoSphere 10 year Warranty.

If you have any questions about your ThermoSphere Towel Bars or any of our other products call our Technical Support team on 0800 019 5899.

### Warranty terms & conditions

Thermogroup covers all its products with a satisfaction guarantee. In addition, Thermogroup will supply a replacement product where a fault is shown to be caused by manufacture, materials or workmanship providing the goods have been installed correctly and according to installation instructions. This guarantee does not include removal, freight or installation costs.

To use the warranty, repair or service the customer must provide purchase invoice/receipt, and completed warranty registration form.

If the product develops a fault within the warranty period due to normal wear and tear, Thermogroup at its discretion will recognise whether it's a faulty product or not. If it is impossible or not economical for the manufacturer to repair the product, the manufacturer will replace the faulty product with a new unit of the same model or if there is no stock available of the same model as the product, the manufacturer will replace the product with a new unit of a similar size. No responsibility can be taken for altered dimensions and lining up of existing holes.

The repair service offered within the warranty period only covers the faults and problems as developed from the manufacturer's errors. Any damage caused by improper use or carelessness or incorrect wiring is not covered.

Thermogroup is not responsible for any monetary loss or injuries caused by improper use of this product.

Please Note: Full Terms and Conditions are available on request.

Email [hello@thermosphere.com](mailto:hello@thermosphere.com) to request your copy or give us a call.

### Safety and care information

ThermoSphere Towel Bars should be installed and tested by a qualified electrician and in accordance with current local regulations. We recommend that the rail is installed onto a flat uniform wall, with the bottom bar at least 600mm from the floor and with a 300mm clearance from permanent fixtures. Recommended spacing between single bar rails is 150mm and for optimum efficiency single bar rail should be installed in sets of three or four. Where possible the Thermorail Heated Towel Rail should be screwed into studs or other suitable dry wall anchors, if fixings to hollow walls suitable anchors should be used.

- Observe and adhere to electrical guidelines when installing your ThermoSphere Towel Bars in wet areas
- Ensure any controls used are installed in correct zones according to the IP rating of the control
- Ensure that your towel bar is protected by a suitably rated RCD
- Do not use the towel bar to hold towels or other articles that have been in contact with oil, petroleum based products or dry cleaning fluids
- This appliance is intended to warm and dry towels and therefore is hot to touch so due care must be taken
- Do not immerse your towel bar in any liquid
- Ensure the transformer is located no further than 2m from the ThermoSphere Towel Bar
- Ensure the transformer is accessible and has adequate ventilation

#### Care information

The Stainless Steel finish of your towel bar is hard wearing and easy to maintain. However any harsh scrubbing, scratching or acid based cleaning products will damage the surface of your towel rail. Cleaning with a soft cloth and a non-abrasive cleaning agent will give the best results.



Find us on social media and share your installation photos!

# Contents

What's in the box?	3
Retrofit over tiles	4
First fix under tiles	5
Mounting system information	6
Warranty Registration	7
Technical specifications	8



Mounting Bracket



Wall Plug



Countersunk Screw



Grub Screw



Allen Key

Please note these parts are not to scale

## What's in the box?

Check you've got everything:

- ThermoSphere Towel Bar
- Screw Kit including:
  - 2 x Mounting brackets (Supplied inside bar)
  - 2 x Wall plugs
  - 2 x Countersunk screws
  - 2 x Grub screws (Supplied inside bar)
  - 1 x Allen key

You will also need:

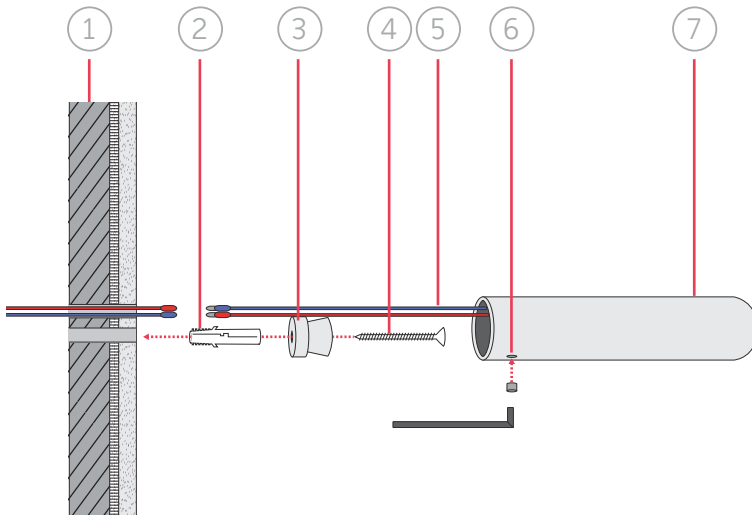
- 12v transformer
- Cross head screwdriver
- Pencil
- Spirit level
- Tape measure
- 6mm drill bit
- Cordless drill

For first fix under tiles you will need to purchase 2 mounting spigots per towel bar.

For fixing with 1 Mounting System you will need to purchase 1 Mounting System only and 1 Mounting Spigot per towel bar.

For fixing with 2 Mounting Systems you will need to purchase 2 Mounting Systems and 2 Mounting Spigots per towel bar.

## Retrofit over tiles



1. Tiled wall
2. Wall plug
3. Mounting bracket
4. Countersunk screw
5. Cable connections
6. Grub screw
7. Towel bar

### Step 1: Switch off the mains power

You will be installing the Towel bar as part of a high voltage mains electrical circuit. To ensure your safety and to protect the Towel bar, switch off the mains power before you start the installation.

### Step 2: Install transformer and connection cable

The transformer is to be installed in the ceiling or the wall cavity no further than 2m from the rails and needs to be connected to the mains power supply in accordance with current local building regulations.

If mounting in the wall cavity the transformer must be behind an access plate or a timer/switch to enable access and the transformer must have ventilation.

Wire up the connection cable(s) to the transformer ensuring that multiple rails are wired in parallel.

**Test A:** Ensure that there is 240 Volt power coming into the transformer. Once checked, tick this on page 7.

**Test B:** Ensure the transformer is wired up correctly according to the diagrams on page 7. Once checked, tick this on page 7.

### Step 3: Install the two wall brackets

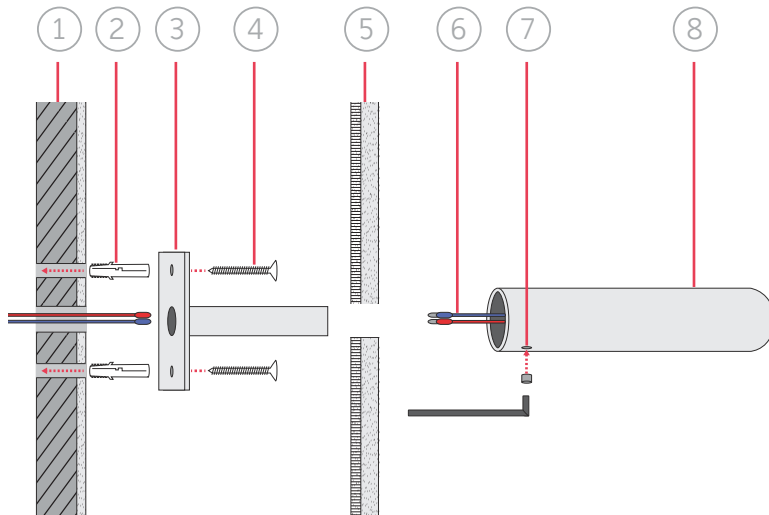
Measure and mark out the bracket positions making sure that they are level. Drill a 6mm hole for each of the wall brackets and insert the suitable wall plugs. Now fix the two wall brackets in place using a screwdriver and countersunk screws provided. On the right hand side drill a second 6mm hole for the cable.

### Step 4: Fix the Towel bar in position

Remove the grub screws from the rail. Connect the cable clips, fix the rail in position and tighten the grub screws with the allen key provided. Repeat for all rails.

**Test C:** Ensure the connection clips are clipped together securely. Once checked, tick this on page 7.

## First fix under tiles



1. Wall
2. Suitable wall plugs
3. Mounting spigot
4. Fixing screws
5. Tiles and adhesive
6. Cable connections
7. Grub screw
8. Towel bar

### Step 1: Switch off the mains power

You will be installing the Towel bar as part of a high voltage mains electrical circuit. To ensure your safety and to protect the Towel bar, switch off the mains power before you start the installation.

### Step 2: Install the transformer and connection cable

The transformer is to be installed in the ceiling or the wall cavity no further than 2m from the rails and needs to be connected to the mains power supply in accordance with current local building regulations. If mounting in the wall cavity the transformer must be behind an access plate or a timer/switch to enable access and the transformer must have ventilation. Wire up the connection cable(s) to the transformer ensuring that multiple rails are wired in parallel.

**Test A:** Ensure that there is 240 Volt power coming into the transformer. Once checked, tick this on page 7.

**Test B:** Ensure the transformer is wired up correctly according to the diagrams on page 7. Once checked, tick this on page 7.

### Step 3: Install two mounting spigots

You must allow at least 25mm of exposed spigot to fix the towel bar onto. Check the thickness of your tiles. If you do not have 25mm of spigot exposed you will need to purchase the 80mm extended spigots.

Measure and mark out the mounting spigot positions, making sure they are level and at the correct fixing centres to match the towel bar. Drill a 6mm hole for each of the fixing holes and insert the wall plugs, On the wiring side (usually the right hand side) drill a third 6mm hole centrally between the 2 fixing holes, to allow for the connection cables. Pull the connection cables through the spigot and fix the spigot in position with the 2 fixing screws. Fix the second spigot in position.

### Step 4: Tile the wall

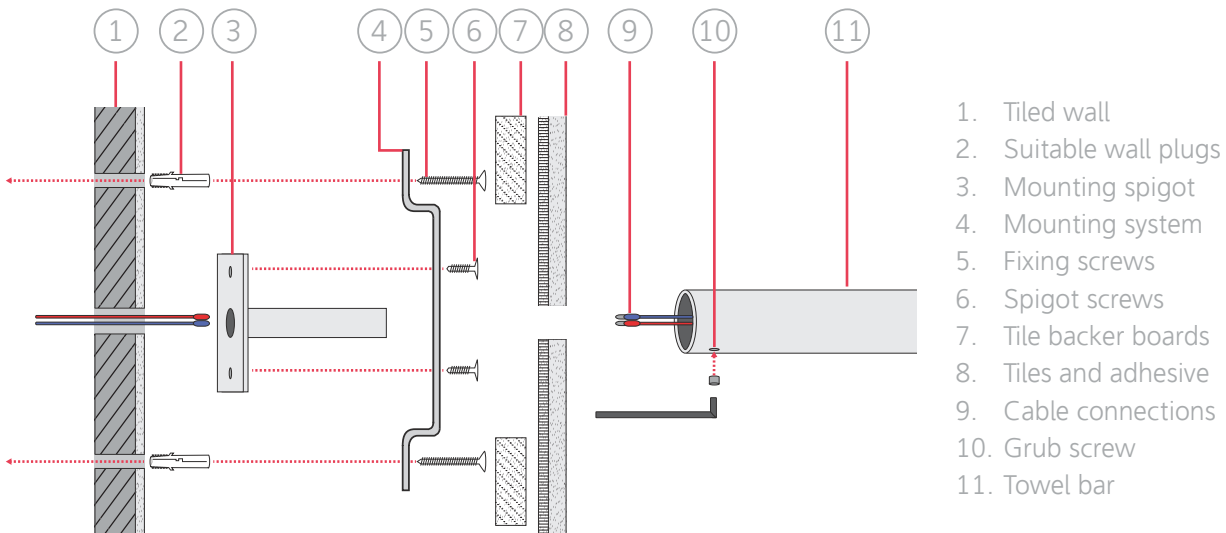
Adhere the tiles to the wall. Drill or cut a  $\varnothing 14\text{mm}$  hole in the tile that is to be installed over the spigots. This will allow the spigot to protrude through the final tiled wall finish ready for connection. You must allow at least 25mm of exposed spigot to fix the towel bar onto. If you do not have 25mm exposed you will need to purchase the 80mm extended spigots.

### Step 5: Fix the towel bar in position

Remove the grub screws from the towel bar. Connect the cable clips and push any excess cable into the wall cavity. Locate the towel bar over the spigots and fix in position by tightening the grub screws with the allen key provided. Repeat for multiple rails.

**Test C:** Ensure the connection clips are clipped together securely. Once checked tick it off on page 7.

# Mounting System Installation



1. Tiled wall
2. Suitable wall plugs
3. Mounting spigot
4. Mounting system
5. Fixing screws
6. Spigot screws
7. Tile backer boards
8. Tiles and adhesive
9. Cable connections
10. Grub screw
11. Towel bar

## Step 1: Switch off the mains power

You will be installing the Towel bar as part of a high voltage mains electrical circuit. To ensure your safety and to protect the Towel bar, switch off the mains power before you start the installation.

## Step 2: Install transformer and connection cable

The transformer is to be installed in the ceiling or the wall cavity no further than 2m from the rails and needs to be connected to the mains power supply in accordance with current local building regulations.

If mounting in the wall cavity the transformer must be behind an access plate or a timer/switch to enable access and the transformer must have ventilation.

Wire up the connection cable(s) to the transformer ensuring that multiple rails are wired in parallel.

**Test A:** Ensure that there is 240 Volt power coming into the transformer. Once checked, tick this on page 7.

**Test B:** Ensure the transformer is wired up correctly according to the diagrams on page 7. Once checked, tick this on page 7.

## Step 3: Install the mounting system

The mounting system should be installed to align with the right hand side of the towel bar, the side with the wiring connections. An optional second mounting system can be installed to fix the left hand fixing point.

Fix the spigots to the mounting system by inserting them in the holes from the back of the mounting system. Use the screws provided to fix them in place.

Measure and mark out the fixing points for the mounting

system on the wall, ensuring correct spacing and levels. Mark and pre drill all fixing holes and the holes for the electrical connections. The electrical connection cabled can run down the back of the mounting system (on the wiring side) and through each spigot as required.

Fix the mounting system in position, over board-with suitable tile backer boards and cover exposed mounting system steel with mesh tape to aid adhesion of tile adhesive.

## Step 4: Tile the wall

Adhere the tiles to the wall. Drill or cut out a Ø14mm hole in the tile(s) that will be installed over the spigots. This will allow the spigots to protrude through the final tiled wall finish. **You need to leave at least 25mm of spigot exposed to ensure the towel bar can be fixed in place.**

## Step 5: Install the left-hand side mounting bracket (Single mounting system installation only)

Measure and mark out for the left-hand side mounting bracket ensuring it is level with the spigot(s) on the right-hand side. Drill the holes and insert suitable wall plugs. Now fix the mounting brackets in place.

## Step 6: Fix the Towel bar in position

Remove the grub screws, connect the cable clips and fit the towel rail in position. Tighten the grub screws with the allen keys provided. Repeat for multiple rails.

**Test C:** Ensure the connection clips are clipped together securely. Once checked, tick this on page 7.

# Warranty registration

The ThermoSphere towel bar warranty against manufacturing defects is a limited liability warranty and will only apply if the product is registered online.

Online registration must be completed within 60 days of purchase. Failure to complete this form will void the warranty. Proof of purchase is required for any claim.

	ThermoSphere Stock No.	Control Installed	Timer Stock no.	Transformer Stock no.	TEST A See Page 4	TEST B See Page 4	TEST C See Page 4
0	HTB-DS-432 (Example)	Timer / Isolating Switch / None	DC-W-01	HTB-12VT-060	✓	✓	✓
1		Timer / Isolating Switch / None					
2		Timer / Isolating Switch / None					
3		Timer / Isolating Switch / None					
4		Timer / Isolating Switch / None					
5		Timer / Isolating Switch / None					
6		Timer / Isolating Switch / None					
7		Timer / Isolating Switch / None					
8		Timer / Isolating Switch / None					
9		Timer / Isolating Switch / None					
10		Timer / Isolating Switch / None					

Fill out and sign below to declare that all the information recorded on this form correlates to the installation.

Installer details	Customer details
Name:	Name:
Email:	Email:
Address:	Address:
Postcode:	Postcode:
Phone:	Phone:
Signature:	Signature:

# Technical Specifications

Stock Code	Description	Size (mm)	Finish	Output (W)
HTB-DS-450	Heated Towel Bar Square 450mm	450 x 40 x 100	Polished	17
HTB-DS-632	Heated Towel Bar Square 632mm	632 x 40 x 100	Polished	23
HTB-DS-832	Heated Towel Bar Square 832mm	832 x 40 x 100	Polished	30
HTB-DR-450	Heated Towel Bar Round 450mm	450 x 32 x 100	Polished	17
HTB-DR-632	Heated Towel Bar Round 632mm	632 x 32 x 100	Polished	18
HTB-DCR-700	Heated Towel Bar Curved Round 700mm	700 x 32 x 100	Polished	15
HTB-DCF-700	Heated Towel Bar Curved Flat 700mm	700 x 40 x 100	Polished	21

## Technical data

Supply voltage	240v 50Hz
Transformer voltage	12v
Wiring side	Right
Wiring method	Hardwired
Warranty on transformer	1yr

Stock Code	Description	Size (mm)
TBMS-1000	Towel Bar Mounting System	1000 x 120 x 12
TBSD-550	Towel Bar Spigot (Double)	55mm
TBS-S800	Extended Towel Bar Spigot	80mm

Thermogroup Ltd  
Bridge House  
Pattenden Lane  
Marden  
TN12 9QJ

0800 019 5899  
sales@thermosphere.com  
www.thermosphere.com

**thermo**  
Sphere

E&OE © Thermogroup Ltd 2019