

thermo  
Sphere

CONTROL | TOUCH



Excellence in heating solutions.



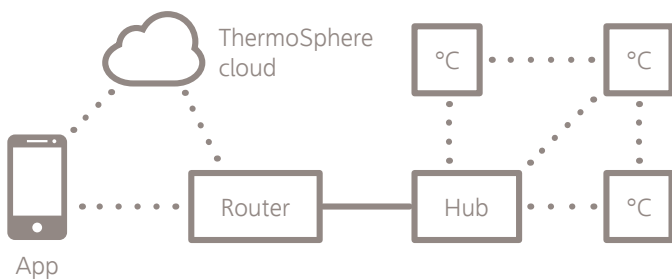
## CONTROL | TOUCH | WIRELESS HUB



WLH-01



- ✓ Connect up to 32 thermostats per hub
- ✓ Control 2 hubs per app
- ✓ 20m open field range
- ✓ Reliable RF connection
- ✓ 3 year warranty



Wireless connection requires:

- ThermoSphere Hub
- Compatible ThermoSphere wireless control
- Broadband internet
- An available network port on your router
- ThermoSphere app
- Compatible iOS or Android device
- Approximate range limit 20m open field

Stock Code	Colour	Size (mm)	IP Rating
WLH-01	White	98 x 78 x 28	IP30





# CONTROL | TOUCH | SINGLE WIRELESS



- ✔ 7 day 6 event heating schedule
- ✔ Easy to use touch display
- ✔ Ambient & floor temperature sensing
- ✔ Energy saving adaptive start
- ✔ Automatic open window sensor

Stock Code	Wifi	Colour	Size (mm)	IP Rating	Max Load	Unit
WSC-W-01	Yes	White Glass	85 x 85 x 46 (31mm in wall)	IP30	16A	Ea
WSC-B-01	Yes	Black Glass	85 x 85 x 46 (31mm in wall)	IP30	16A	Ea

# CONTROL | TOUCH | DUAL WIRELESS



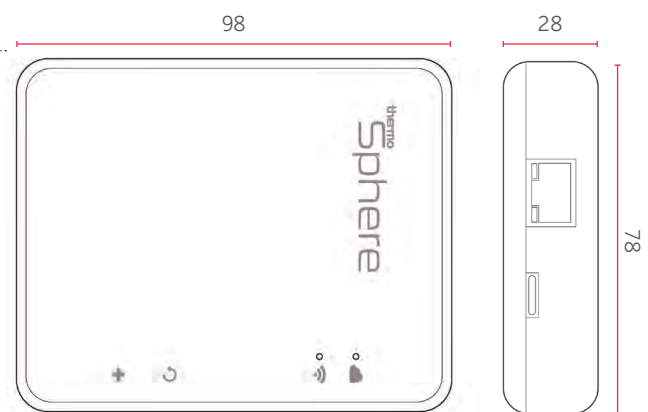
- ✔ 7 day 6 event heating schedule
- ✔ Easy to use touch display
- ✔ Ambient & floor temperature sensing
- ✔ Energy saving adaptive start
- ✔ Automatic open window sensor

Stock Code	Wifi	Colour	Size (mm)	IP Rating	Max Load	Unit
WDC-W-01	Yes	White	129 x 88 x 48 (31mm in wall)	IP30	20A	Ea
WDC-B-01	Yes	Black	129 x 88 x 48 (31mm in wall)	IP30	20A	Ea

## ThermoSphere Wireless Hub

Technical data	
Power supply	5V DC
Operating power	1A
Ambient temperature	5 ~ 50°C
Compatible controls	5220Z 5226Z
Warranty	3 years
Protection rating	IP30
Width x height	95 x 95 x 22mm
Wireless	RF 868 MHz Mesh
Range	20m open field (approx)
Max no. of connections	100+ units
Max no. of hubs per app	10

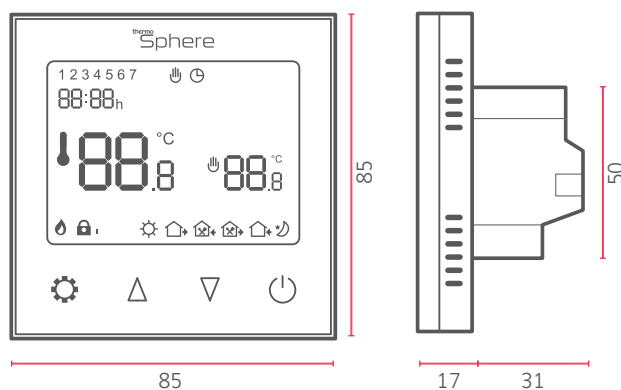
Box contents
1 x ThermoSphere Wireless Hub
1 x Installation guide
1 x Network cable
1 x Power supply



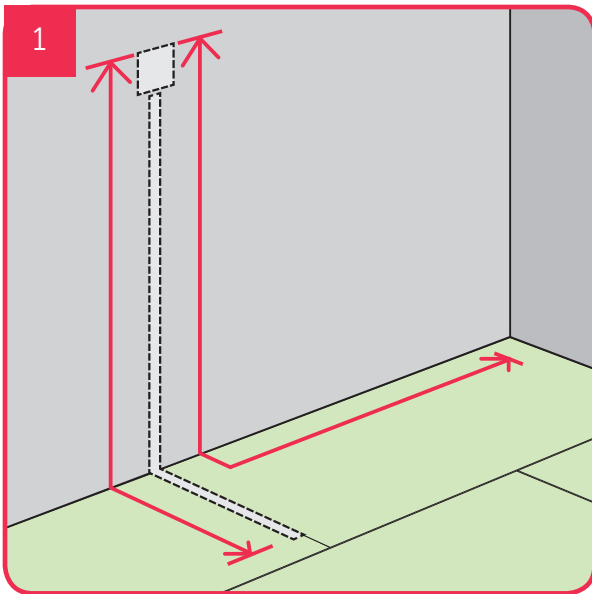
## ThermoSphere Wireless Control

Technical data	
Supply voltage	230V 50/60Hz
Maximum load	16A (3600W)
Backup storage	EEPROM (1 year backup)
Temperature range	5 ~ 80°C (0.5°C increments)
Accuracy	±0.5°C
Sensor rating	NTC 10kΩ @ 25°C
Consumption	2W
Warranty	3 years
Protection rating	IP30
Width	85mm
Height	85mm
Depth	46mm (31mm in wall)
Network requirements	ThermoSphere Wireless Hub

Box contents
1 x ThermoSphere Wireless Control
1 x Installation guide
1 x 3m floor temperature sensor probe
1 x 2m sensor conduit
2 x Fixing screws



## Installing your control in the correct location

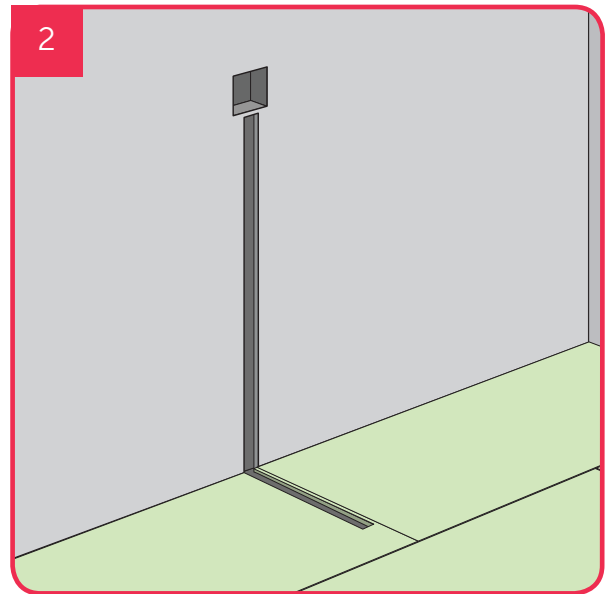


### Plan back box and conduit positions

Measure and mark your back box and conduits in the required position.

The cold tail is 3m in length. It needs to reach from your back box, down through your conduit and along to your heating cable start position (extension available).

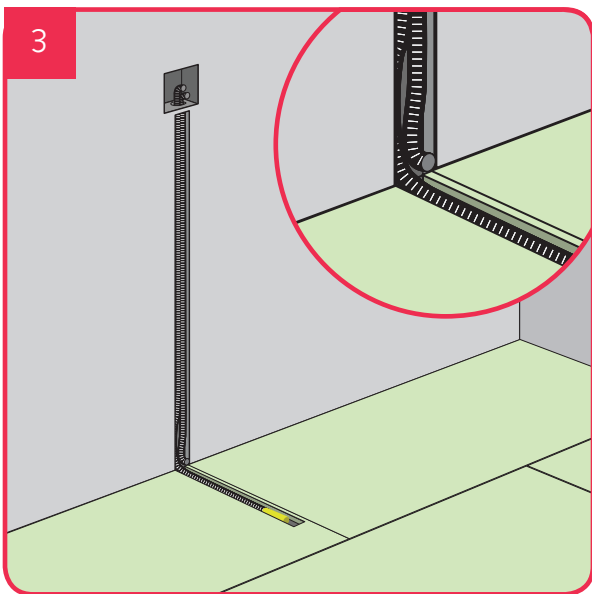
It is important to position your sensor between two runs of heating cable. A channel must be chased into the insulation or substrate to house the sensor conduit. Do not position the sensor conduit near any temperature influence or where furniture and rugs might be placed over the sensor.



### Install back box

Fit an extra deep single gang back box at the desired level. Chase from the back box to the floor level, allowing for the conduit.

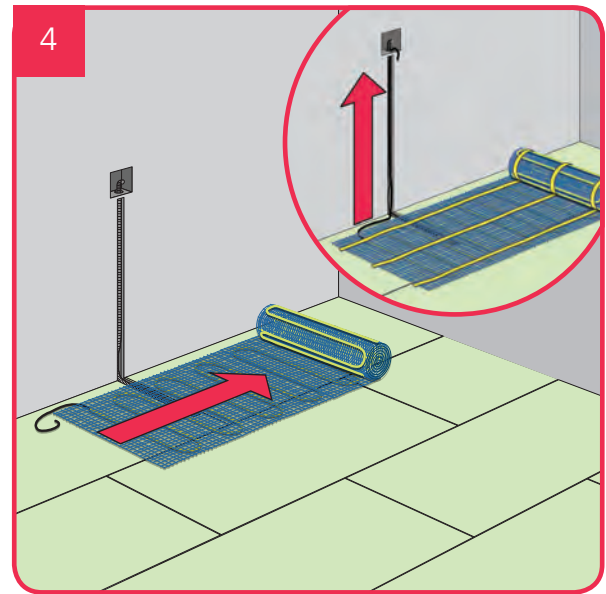
Power for the thermostat should come from an RCD protected fused spur.



### Install two conduits

**Sensor conduit:** Install a conduit for the sensor probe (laid centrally between two runs of heating cable).

**Cold tail conduit:** Install another conduit for the cold tail (black cable) of the heating system.



### Floor temperature sensor location

To ensure an accurate reading, position the floor sensor between 2 runs of heating cable. Away from any other temperature. ThermoSphere recommend using 2 sensor probes.