

thermo
Sphere

HEATING | WALL
TOWEL BARS

Excellence in heating **solutions.**

Contents

What's in the box?	3
Before you start	4
Installing Towel bars	5
Wiring diagram	7
Installation diagram	12
Retrofit on existing tiles	13
Technical data	15
Contact information	18

What's in the box?

Check you've got everything:

- ThermoSphere towel bar
- Dress ring
- Connection wire (2m)
- Mounting spigot and 2 fixing screws
- Allen key and 2 grub screws
- 4.5mm drill bit

You will also need:

- Cross head screwdriver
- Spirit level
- Cordless drill
- Pencil
- 12V transformer
- Electrical supply

Before you start

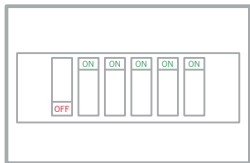
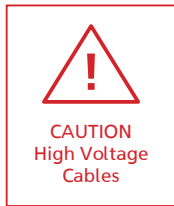
ThermoSphere towel bars should be:

- Installed on an RCD protected circuit
- Connected to a suitably rated 12V transformer
- Installed by a qualified professional electrician, in line with current electrical regulations and local standards. (For the UK: IEE 17th Edition Part P)
- This product is designed to hold towels and should not be subjected to weight or pressure in excess of 5kg
- Connected in parallel if installing multiple rails

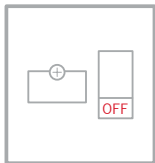
Installing Towel bars

1. Switch off mains power

You will be installing the Towel bar as part of a high voltage mains electrical circuit. To ensure your safety and to protect the Towel bar, switch off the mains power before you start the installation.



Fuse Box



Fused Switch

Installing Towel bars

2. Choose a location

Decide where the Towel bar is to be fixed to the wall and drill into the wall taking care to avoid any existing pipe work or electric cables.

The 2m connection cable can then be fed through a conduit in the wall cavity or chased into a channel cut into a solid wall.

Then connect the cable to the transformer and electric circuit, above the ceiling or in the wall cavity behind a thermostat, timer or access plate.

Installing Towel bars

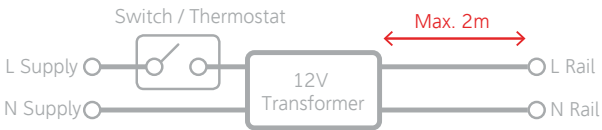
3. Electrical connections

Ensure the electricity is switched off.

Connect the 12V transformer and towel bar to the electrical supply as shown in the diagram.

Multiple bars should be wired in parallel.

4. Wiring diagram



Installing Towel bars

5. Fix to the wall

Pull the electrical connector through the centre of the mounting spigot and use a pencil to mark the wall ready to drill the fixing holes for the mount.

Carefully drill fixing holes, insert suitable wall pugs and fix the spigot in place with the screws provided.

Installing multiple rails?

Use the ThermoSphere mounting system (TBMS-1000) and consult the relevant installation guide.

Installing Towel bars

6. Tile the wall

At this stage the wall should be tiled. The mounting spigot is designed to be encapsulated within the tile adhesive layer.

Cut the tile or use a 24mm tile drill bit to make a hole for the mounting spigot.

A full bed of tile adhesive should be used to cover the mounting spigot and fixing screws.

Installing Towel bars

7. Connection clips

When the tile adhesive is set and the tiles have been grouted, the towel bar can be fixed in position.

The optional dress ring should be installed and then the electrical clips can be connected by any competent individual. Any excess cable should be fed into the wall cavity.

Make sure the clips are connected securely before you proceed.

8. Fix Towel bar in position

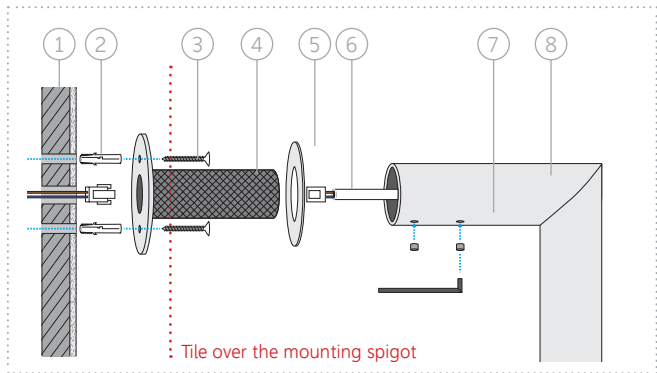
Remove the grub screw from the towel bar and locate over the spigot, ensuring the bar is level. Mark the position of the grub screw holes on the spigot.

Drill the spigot using the 4.5mm bit. Fix the towel bar in position by tightening the grub screw so that it locates into the 4.5mm hole, with the allen key provided.



Your towel bar is only designed to support weights of up to 5kg. Excessive weight or force may loosen the bar.

Installation diagram



- | | |
|-----------------------|--------------------------|
| 1. Wall | 5. Dress ring (optional) |
| 2. Suitable wall plug | 6. Connection clip |
| 3. Fixing screw | 7. Grub screw |
| 4. Mounting spigot | 8. Towel bar |

Retrofit installation

8. Retrofit over existing tiles

1. Drill the wall in desired location to allow for 4 fixings and feeding the cable into the wall cavity.
2. Feed connection cable into the wall and make electrical connections in line with the diagram on page 7.
3. Fix the spigot to the wall using suitable fixings and pull the cable connector clip through.
4. Install the optional retrofit dress ring and position the bar over the spigot. Remove grub screws, ensure bar is level and mark drilling positions for the screws.

Retrofit installation

8. Retrofit over existing tiles (continued)
5. Drill the spigot using the supplied 4.5mm bit.
Take care to protect the cables from the drill!
6. Connect the connection clips and slide the towel bar over the mounting spigot.
7. Lock the bar in position by tightening the grub screws so that they locate into the previously drilled holes.



Your towel bar is only designed to support weights of up to 5kg. Excessive weight or force may loosen the bar.

Technical information

HTB-SR-400	L400 x H32 x D100	17W
HTB-SR-600	L600 x H32 x D100	18W
HTB-SS-400	L400 x H32 x D100	17W
HTB-SS-600	L600 x H32 x D100	18W
Supply voltage	230V 50/60Hz	
Transformer voltage	12V	
Warranty	5 years	

Notes

A series of 13 horizontal dotted lines for taking notes.



Thermogroup Ltd

hello@thermosphere.com
www.thermosphere.com

E&OE © Thermogroup Ltd 2019