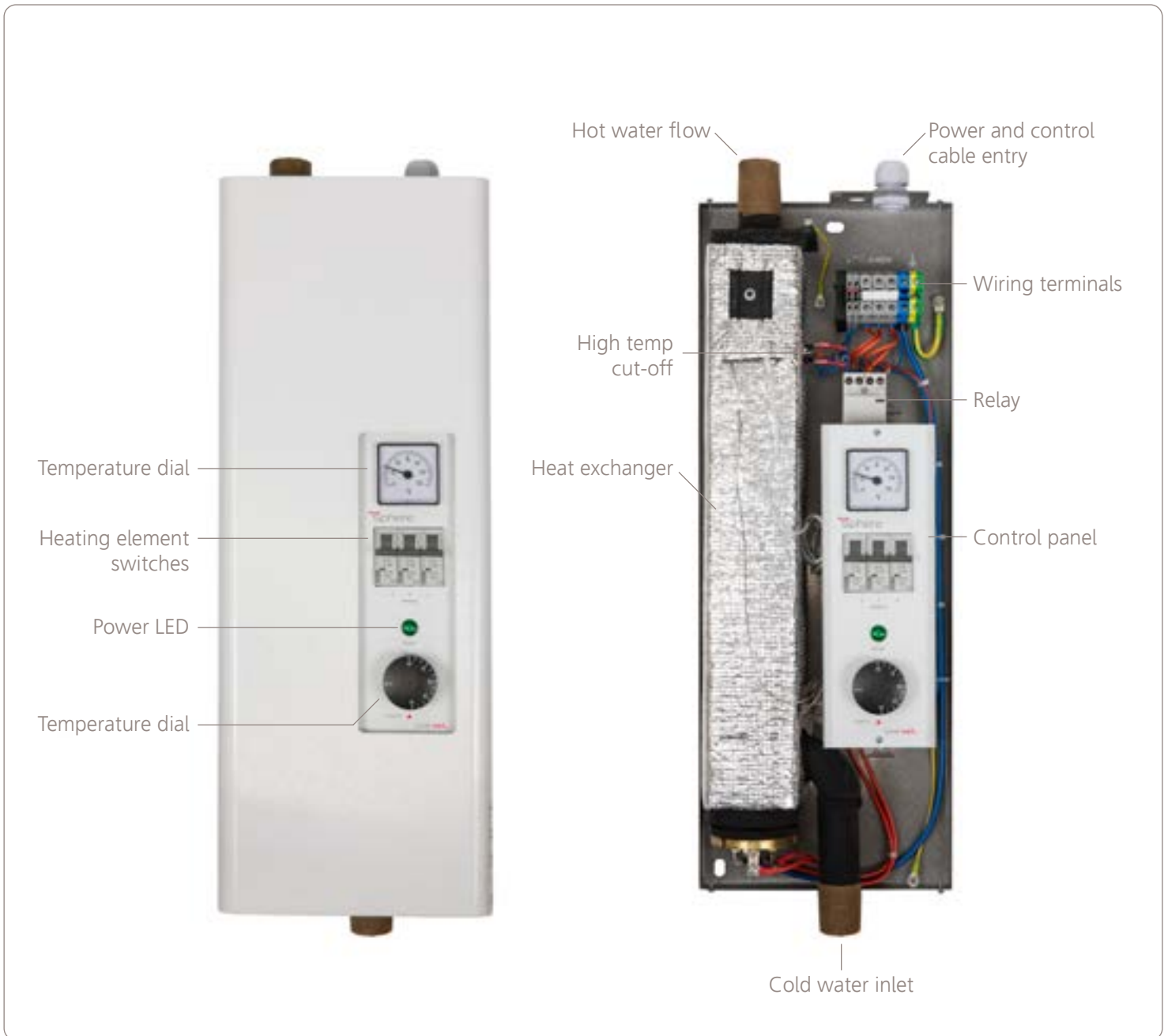



thermo  
Sphere

HEATING | WATER | BOILERS

Designed to work with central heating radiator systems as standard




Designed to work with piped underfloor heating systems as standard



Use for domestic hot water systems by adding an indirect hot water storage cylinder

Technical data

Voltage	230V / 400 50Hz
IEC Protection	Class I
IP Rating	IP22
Efficiency class	
Max temp	80°C
Max pressure	3 bar
Warranty	3 years

## Electric Flow Boiler

The new ThermoSphere electric boiler range. The perfect electric water heating solution for homes without gas supply or where space is at a premium

ThermoSphere electric flow boilers provide hot water for heating systems. Suitable for open vented or pressurised systems. No flue requirement.

Compact and unobtrusive, ideal for small storage cupboards, extensions, loft conversions and garages where space is challenge.

Works with standard central heating radiators, wet underfloor heating manifolds, programmers, room thermostats and thermostatic radiator valves.

Outputs range from 1.5kW to 15.0kW and each boiler features 3 step heating that can be switched independently.

Compliant with EcoDesign directive 2009/125/EU, Regulation (EU) 811/2013, Regulation (EU) 813/2013.

## Packed with energy saving features

- Controllable, efficient central heating
- Works with standard radiators, programmers, room thermostats and thermostatic radiator valves
- Works with water underfloor heating systems
- Suitable for pressurised or open vented systems
- Domestic hot water in conjunction with indirect cylinder
- No flue or fuel tanks means flexible installation
- Up to 99.8% efficient and EcoDesign Lot20 compliant
- Compact and lightweight for easy installation
- Minimal service and maintenance costs

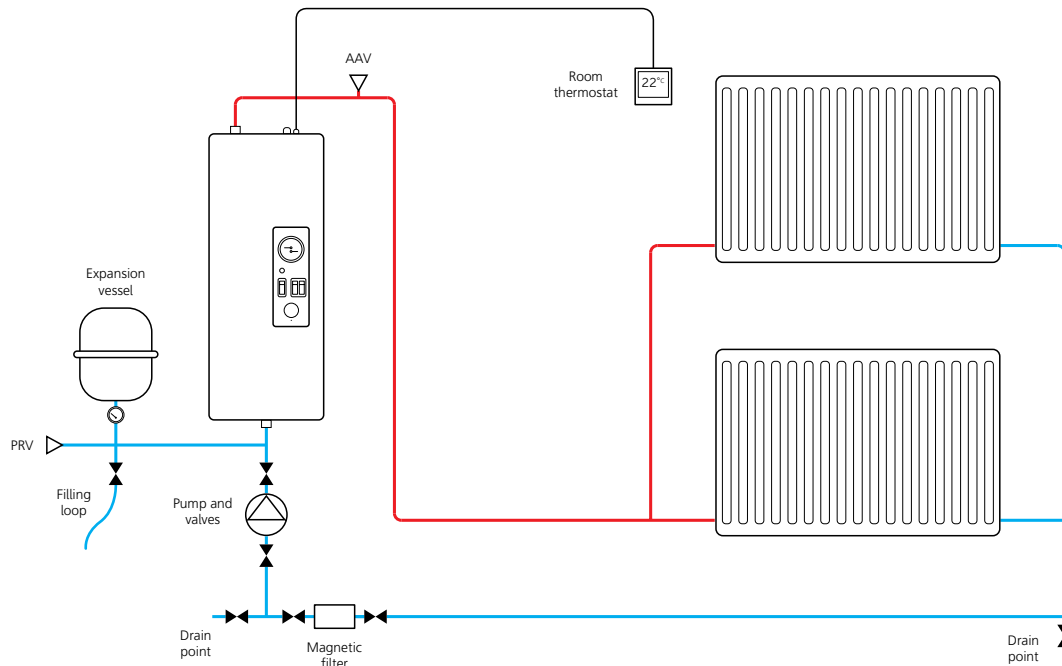
Feature	TSEFB-4.5	TSEFB-6	TSEFB-9	TSEFB-12	TSEFB-15
Max output (Kw)	4.5	6.0	9.0	12.0	15.0
Output per element	1.5	2.0	3.0	4.0	5.0
No. of elements	3	3	3	3	3
Pump included	No	No	No	No	No
Voltage	230 / 400	230 / 400	230 / 400	230 / 400	400
Max Current (A)	21	27	40	53	22
Working pressure (MPa)	0.2	0.2	0.2	0.2	0.2
Working pressure (BAR)	2.0	2.0	2.0	2.0	2.0
Working pressure (PSI)	29	29	29	29	29
Max working Temperature (°C)	80	80	80	80	80
Cable section (mm <sup>2</sup> )	4	4	4	4	4
Weight (Kg)	14	14	14	14	14
Height (mm)	755	755	755	755	755
Width (mm)	215	215	215	215	215
Depth (mm)	150	150	150	150	150
Energy efficiency class	D	D	D	D	D
Warranty duration	3 years	3 years	3 years	3 years	3 years



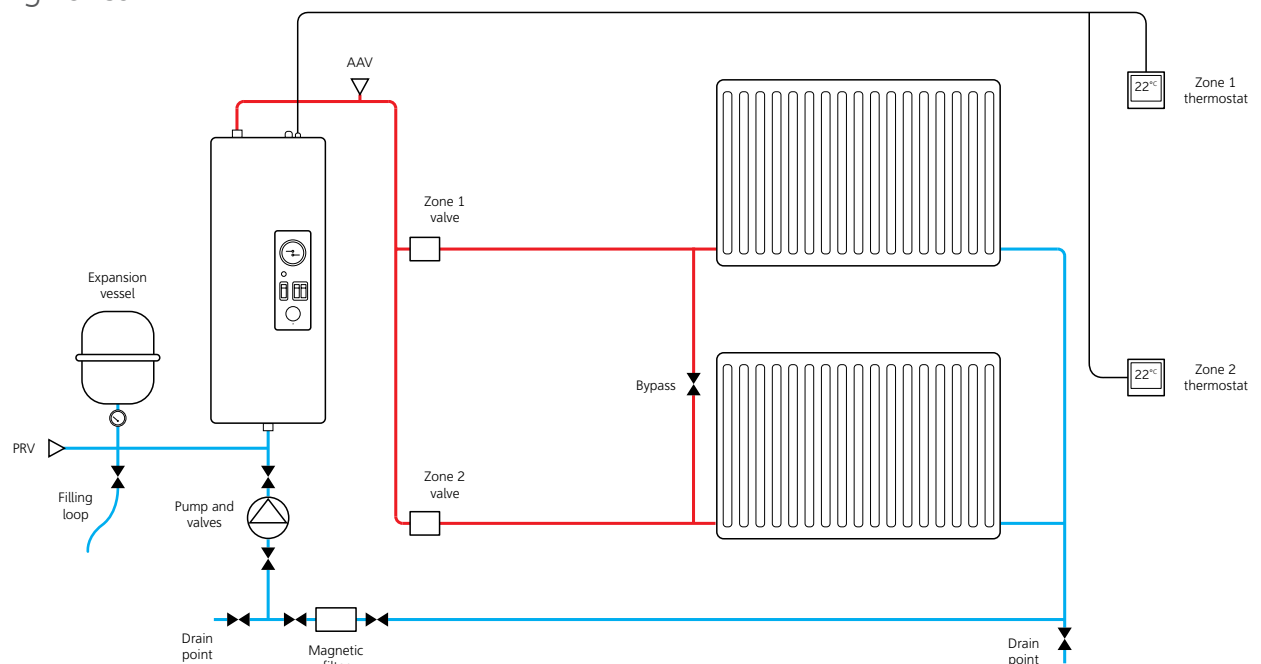
## Heating only applications

ThermoSphere electric flow boilers are designed to provide heating for central heating radiator systems. The water must be treated with a suitable inhibitor and a magnetic filter must be fitted on the return line. Suitable for open vented or pressurised systems. No flue requirement.

### Single heating zone



### 2 heating zones

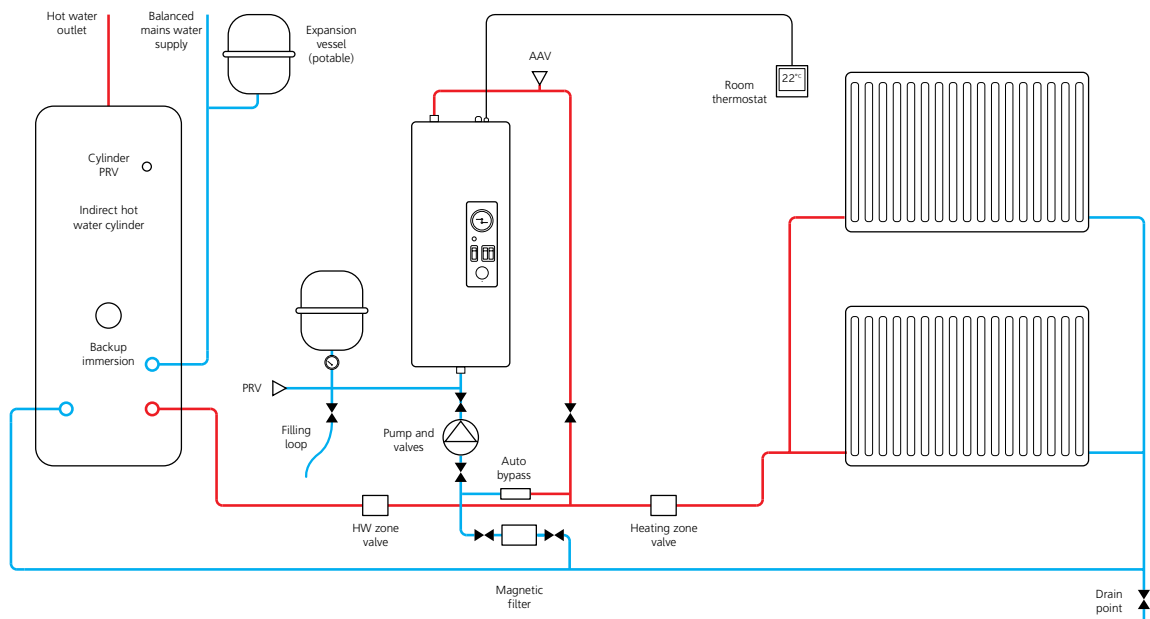




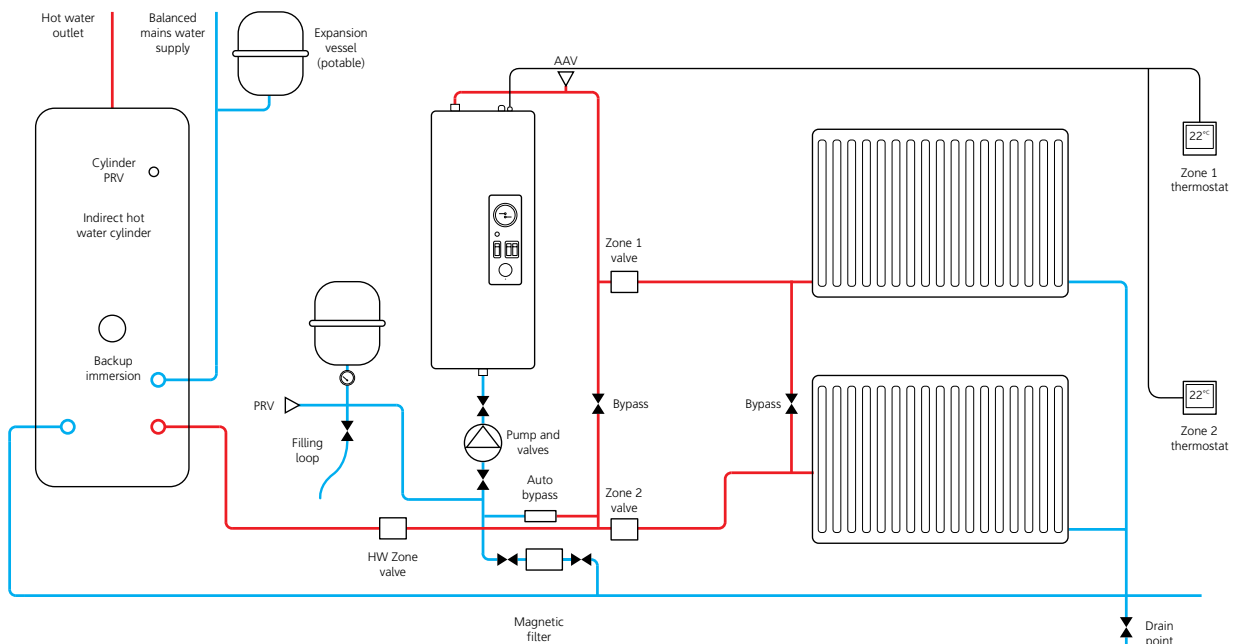
## Heating and hot water applications

ThermoSphere electric flow boilers are designed to provide heating for central heating radiator systems and can also be connected to an indirect hot water cylinder to provide domestic hot water. The water in the heating circuit must be treated with a suitable inhibitor and a magnetic filter must be fitted on the return line.

Hot water and a single heating zone



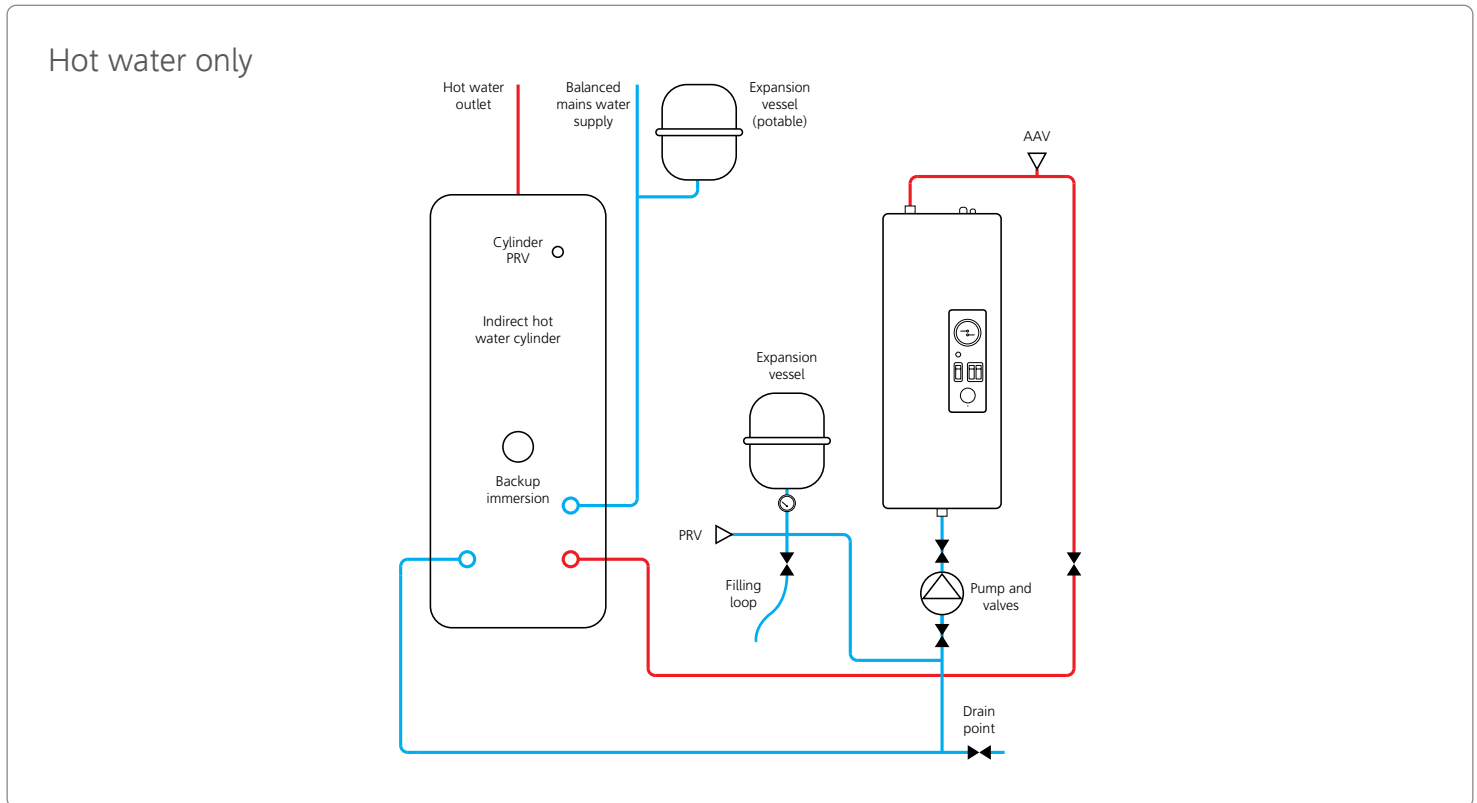
Hot water and 2 heating zones





## Hot water only applications

Combine a ThermoSphere Electric flow boiler with an indirect hot water storage cylinder to provide efficient hot water where there is no gas supply. Use an off peak electricity tariff to benefit from lower overnight energy costs.





## Underfloor heating applications

ThermoSphere electric flow boilers are the perfect electric water heating solution for warm water underfloor heating systems. Using a dedicated electric boiler for an underfloor heating system means you can set the desired flow temperature on the boiler which reduces the need for tempering with added cold water. This increases energy efficiency and reduces your running costs.

